



TRY IT BEFORE YOU BUY IT

1. Provide us with your requirements.
2. We will select your parts.
3. We will send you our proposal.
4. Place a no charge purchase order with us.
5. Receive your **FREE** assembly for first time buyers.

LEAD TIMES

Standard parts ship in 3-5 days. Specialized or customized parts ship in 2-3 weeks.

REQUEST A QUOTE TODAY

919.863.0837
 sales@accu-techusa.com
 12339-110 Wake Union Church Road
 Wake Forest, NC 27587
www.accu-techusa.com

ACCU TECH USA

Automation and Motion Solutions



LINEAR GUIDE SOLUTIONS

AVAILABLE TYPES

- MSC - Minature Type SS Series
- MSD - Minature Type Wide SS Series
- MSA - Heavy Load Type
- MSB - Compact Type
- MSG - Wide Rail Type
- MSR - Full Roller Type
- SME - Ball Chain Type

Phone: 919.863.0837 Fax: 919.863.3742
www.accu-techusa.com

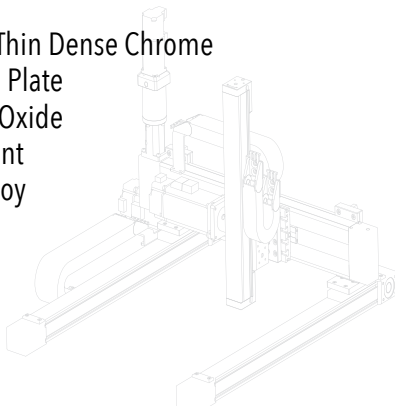
VALUE ADDED SERVICES

BUTT JOINTED RAILS TO ALLOW UNLIMITED STROKE LENGTH

- Precision milled joint
- Cut & Ground joint

PLATING SERVICES AVAILABLE

- TDC - Thin Dense Chrome
- Nickel Plate
- Black Oxide
- Raydent
- Armoloy

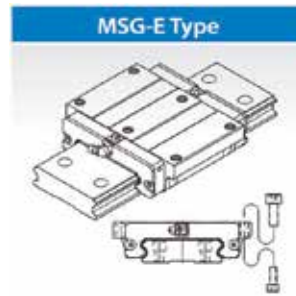


MSC/MSD MINIATURE

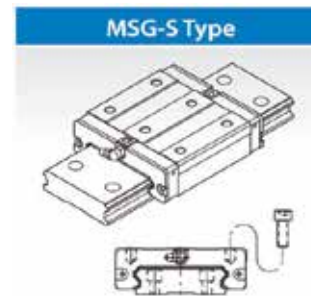


| SIZE | CARRIAGE TYPE | | MAX LENGTH |
|--------|---------------|----|------------|
| MSC 07 | M | LM | 1000 |
| MSC 09 | M | LM | 1000 |
| MSC 12 | M | LM | 2000 |
| MSC 15 | M | LM | 2000 |
| MSD 07 | M | LM | 2000 |
| MSD 09 | M | LM | 2000 |
| MSD 12 | M | LM | 2000 |
| MSD 15 | M | LM | 2000 |

MSG



This type offers the installation either from top or bottom side of carriage.



Square type with smaller width and can be installed from top side of carriage.

| SIZE | CARRIAGE TYPE | | MAX LENGTH |
|--------|---------------|---|------------|
| MSG 21 | E | S | 4000 |
| MSG 27 | E | S | 4000 |
| MSG 35 | E | S | 4000 |

SME BALL CHAIN



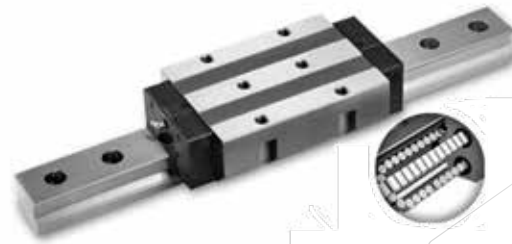
| SIZE | CARRIAGE TYPE | | | | MAX LENGTH |
|--------|---------------|----|---|----|------------|
| SME 25 | E | LE | S | LS | 4000 |
| SME 30 | E | LE | S | LS | 4000 |
| SME 35 | E | LE | S | LS | 4000 |
| SME 45 | E | LE | S | LS | 4000 |
| SME 55 | E | LE | S | LS | 4000 |
| SME 65 | E | LE | S | LS | 4000 |

MSA/MSB HEAVY LOAD



| SIZE | CARRIAGE TYPE | | | | MAX LENGTH |
|------------|---------------|----|---|----|------------|
| MSA/MSB 15 | E | LE | S | LS | 4000 |
| MSA/MSB 20 | E | LE | S | LS | 4000 |
| MSA/MSB 30 | E | LE | S | LS | 4000 |
| MSA/MSB 35 | E | LE | S | LS | 4000 |
| MSA/MSB 45 | E | LE | S | LS | 4000 |
| MSA/MSB 55 | E | LE | S | LS | 4000 |
| MSA/MSB 65 | E | LE | S | LS | 4000 |

MSR FULL ROLLER



| SIZE | CARRIAGE TYPE | | | | MAX LENGTH |
|--------|---------------|----|---|----|------------|
| MSR 25 | E | LE | S | LS | 4000 |
| MSR 30 | E | LE | S | LS | 4000 |
| MSR 35 | E | LE | S | LS | 4000 |
| MSR 45 | E | LE | S | LS | 4000 |
| MSR 55 | E | LE | S | LS | 4000 |
| MSR 65 | E | LE | S | LS | 4000 |

MARKETS SERVED

- Semi Conductor
- Woodworking
- CNC Machine Tool
- Medical Life Science
- Packaging and Converting
- Factory Automation
- Vending

E - Standard Flange LE - Long Standard Flange S - Square LS - Long Square M - Standard LM - Long

REQUEST A QUOTE **TODAY**