

## Z-Axis Plasma Torch Lifter

LCA Actuator

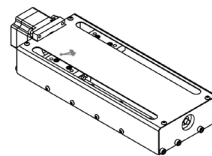
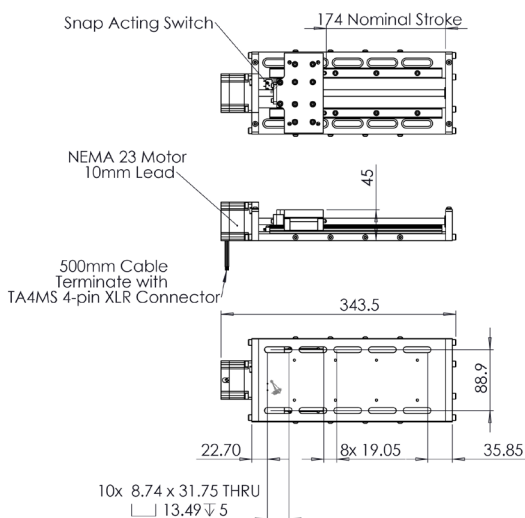
**NEWLY RELEASED**  
**Affordable Actuator**  
**Designed for Large Volume**  
**OEM Applications**



### FEATURES

- Complete assembly with protective shroud
- Size 15 linear bearings for high cantilevered loading
- Limit switch and home switches - normally open
- Ability to fit with custom clamp for flame/plasma nozzle
- Stepper motor included
- Custom lengths available
- Black powder coated cover and anodized parts to prevent corrosion
- Minimum quantity of 50 units for custom assemblies
- Temperature rating up to 185° F

<b>Stroke Length</b>	174mm
<b>Motor</b>	NEMA23 Integrated Lead Screw
<b>Max Speed</b>	75mm/s
<b>Lead</b>	10mm
<b>MOTOR SPECIFICATION</b>	
<b>Phase</b>	2 phase stepper motor
<b>Step Angle</b>	1.8°
<b>Rated Voltage</b>	3.5V
<b>Rated current/phase</b>	2.0A
<b>Linear travel per step</b>	0.0254 mm/step
<b>Nominal Screw Diameter</b>	10mm
<b>Load Rating</b>	57kg, 125lbs



Integrated Stepper and Lead Screw Motor

