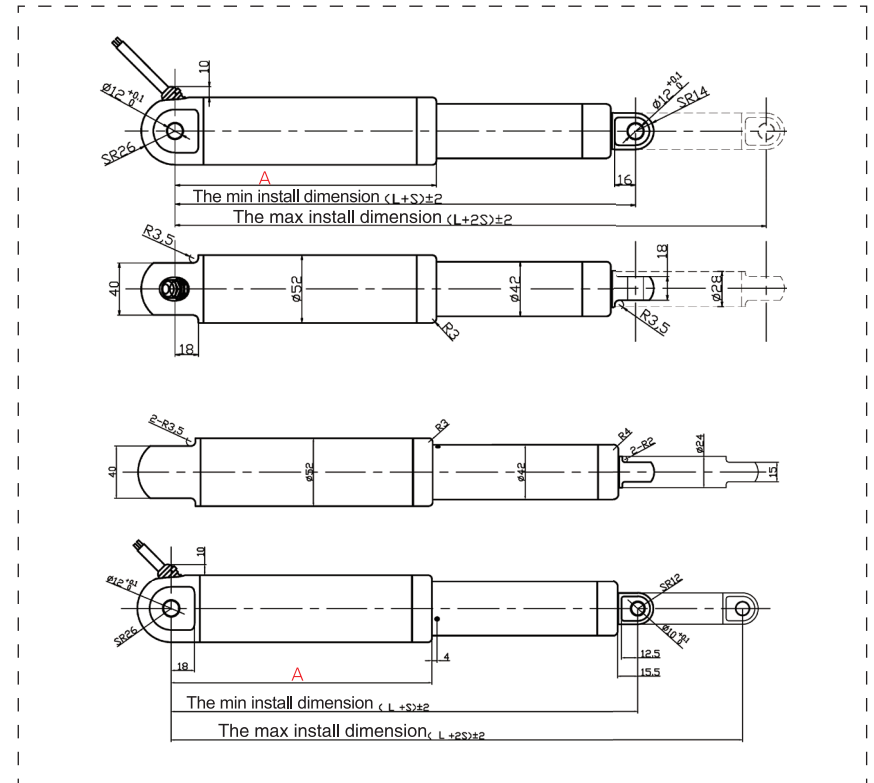




ANT-52 With the internal limit switch

ANT-52 is widely used in the field of industry.

Applied to industrial machinery and automation , smart home



ANT-52 Dimensional Drawing (mm)

The above drawing : Standard dimensions of ANT52

The following drawing:Dimensions of ANT52 with adjustable limit switch

Standard means without any additional function(Over current protection,hall sensor)

The dimensional tolerance not shown in the drawing can refer to ISO2768-mk

ACTUATOR SMALLER FOR MORE



Voltage(V)	12 24	No-load current(A)	≤1.6 ≤0.8	Load current(A)	≤10 ≤5
Max. Power(W)	150	Material of outer tube	6063 Aluminium	Material of lead screw	Trapezoid, Steel
Material of piston rod	304 stainless steel	Material of the nut	Plastic	Working duty(S2)	Work 2 minutes and rest 18 minutes
Life time(cycles)	10k	Protection Class	IP66	Noise on load (dB)	75
Operating temperature(℃)	-20~60	Storage temperature(℃)	-40~70	Certification	CE
Backlash (mm)	0.5-1	Colour	Black	Wire length(m)	1.5
Wire connection	Bare wire 4 pins connector 6 pins connector	End mounting	O type		

ANT-52[mm] Min. Install dimension	[mm]	Limit switch	Hall sensor	Over current protection
	L+S	305+S	325+S	325+S
	A	201	221	221

ANT-52 Technical data

Max load(N)	300	1200	1800	3000	4500	5000	6000
Self-locking force(N)	600	2400	3600	6000	8000	7500	8000
No-load speed(mm/s)	88	24	16	9.6	6.4	4.8	4.8
Load speed(mm/s)	55	15	10	6	4	3	3

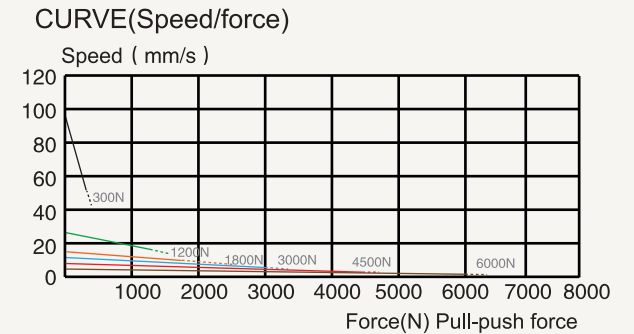
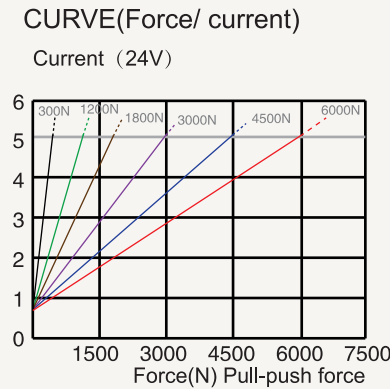
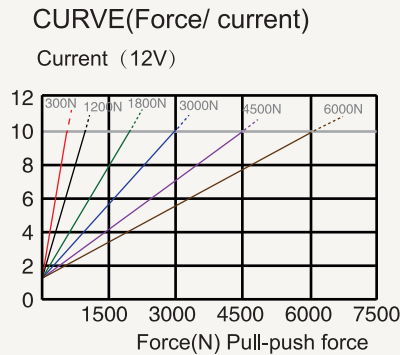
ANT-52:the max load is 5000N with the voltage of 12V

Standard stroke									Special stroke
Stroke(mm)	50	100	150	200	250	300	350	400	Customized
Weight (kg)	1.8	1.9	2	2.1	2.2	2.3	2.4	2.5	

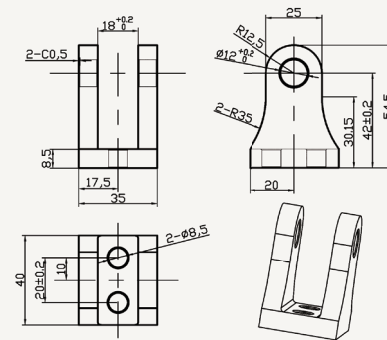
The min stroke:10mm
The max stroke:500mm
Precision:±2 mm

ANT-52 CURVE

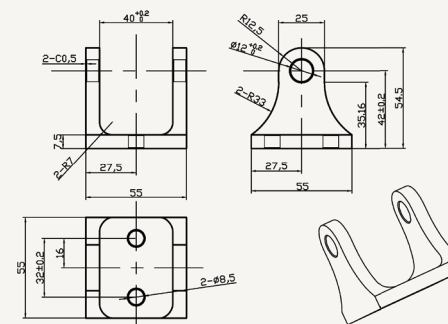
Accuracy of speed or current : ±10%, in general, applications in the dashed are not recommended.



ANT-52 Mounting Bracket



52F
Front mount bracket



52R
End mount bracket

Controllers available

One actuator output controller, Two actuator output controller, Three actuator output controller