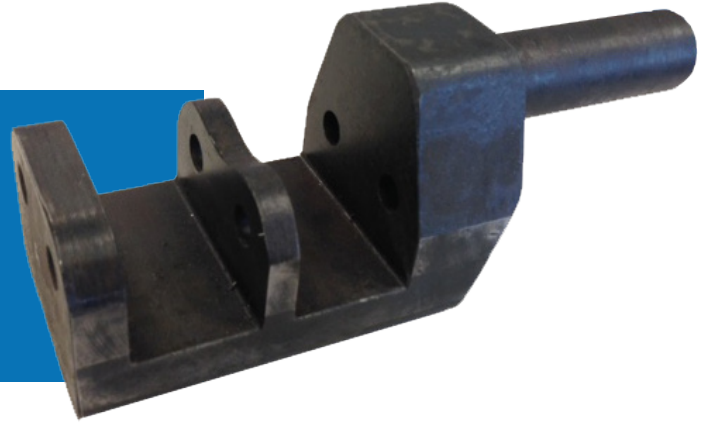


MACHINE SHOP CAPABILITIES AND SERVICES

Fast Lead Times.
Quality Focused.
Custom Machined Parts.
Repair Services.



FEATURES

- CNC Machining
- Precision Milling and Turning
- Custom Parts
- Customer Custom Designs
- Precision Inspection Capabilities
- Reverse Engineering
- CAD CAM Capabilities

The Accu Tech USA Machine Shop provides our customers with quality machined parts as a value added service to fully satisfy our customers' requirements. Working collectively with our production and sales teams, we are able to provide complete, cost effective, and high quality solutions to fulfill our customers goals.

"We pride ourselves on having a deep commitment to giving excellent customer support, and meeting quality and delivery requirements to ensure customer satisfaction," said Diana Frost, production manager, Accu Tech USA. "Our skilled staff paired with our focus on developing long-lasting relationships with our customers has uniquely positioned us as a trusted supply source in the industry."

CUSTOM SOLUTIONS



Quality Focused

Accu Tech USA is committed to supplying precision machined parts that fully satisfy our customers' requirements. As a trusted source of supply, we strive to exceed your expectations with your overall satisfaction in terms of service, quality, delivery, and fair pricing.



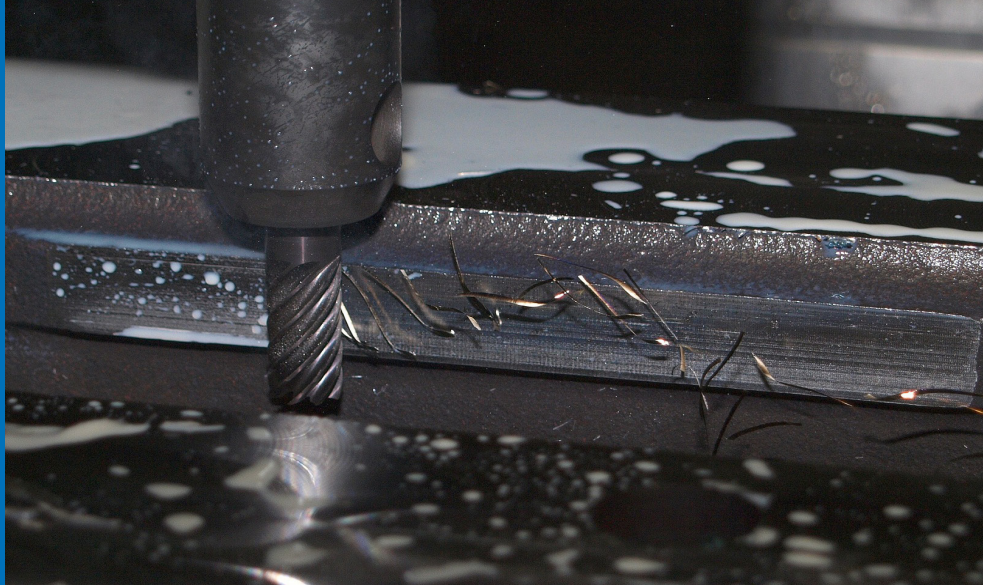
On-Time Delivery

We recognize the importance of delivery and how we could affect the timely completion of our customers projects. Working in partnership with our production team, we are continuously working on how we can deliver custom machined parts on time and on budget.

SEND US YOUR PRINT FOR A PROPOSAL

MACHINERY CAPACITY

Accu Tech USA Machine Shop provides customers with complete, high quality, and cost effective solutions to fully meet requirements.



HARDINGE VMC 1000 (Vertical machining center CNC)

Table size 40" x 20" x 20"

2-3 vise on the table simultaneously

HARDINGE GX 480 (Vertical machining center CNC)

Table size 11.75" x 15.75" x 16.75"

2-3 vise on the table simultaneously

HARDINGE GS 200 (CNC lathe)

Thru the chuck capacity 2.00" diameter, Max length 6 feet

Max machining length 15"

Max diameter 11.0"

Manual Equipment

Sharp lathe

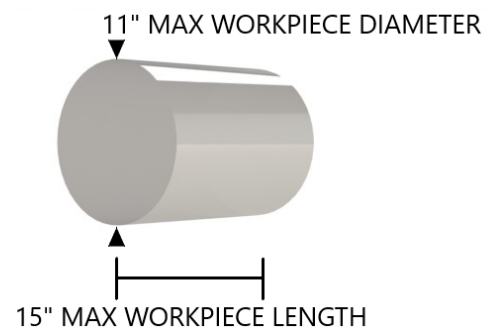
Max diameter 14"

Max length 36"

2 Sharp Knee Mills

42" tables

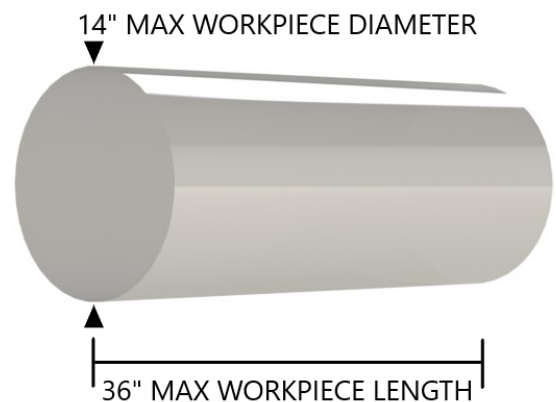
CNC LATHE MACHINING VOLUME



CNC LATHE THRU HOLE CAPACITY



MANUAL LATHE MACHINING VOLUME



MANUAL LATHE THRU HOLE CAPACITY



KNEE MILL VOLUME CAPACITY

