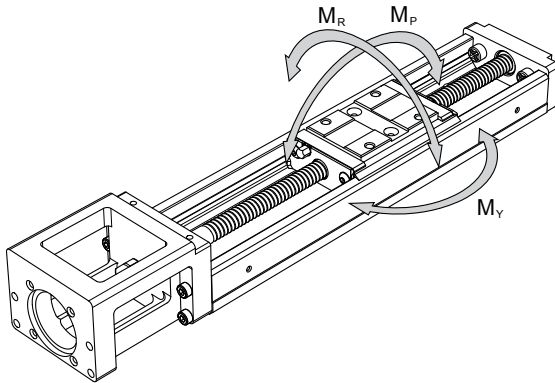


F. Static Permissible Moments



Unit : N-m

Model	Static Permissible Moments											
	M _P				M _Y				M _R			
	A	B	C	D	A	B	C	D	A	B	C	D
KM 20 KM 20 01 KM 20 02	38.2	192.6	-	-	38.2	192.6	-	-	114.6	229.1	-	-
KM 26 KM 26 02 KM 26 06	107.3	501.8	-	-	107.3	501.8	-	-	278.6	557.3	-	-
KM 30 KM 30 05 KM 30 10	156.6	858.5	43.8	326.4	156.6	858.5	43.8	326.4	462.0	924.0	248.8	497.6
KM 33 KM 33 05 KM 33 10	156.6	858.5	43.8	326.4	156.6	858.5	43.8	326.4	462.0	924.0	248.8	497.6
KM 45 KM 45 10 KM 45 20 KM 4520C	575.0	2678.0	120.0	1245.6	575.0	2678.0	120.0	1245.6	1334.2	2668.5	762.4	1524.8
KM 46 KM 46 10 KM 46 20 KM 4620C	575.0	2678.0	120.0	1245.6	575.0	2678.0	120.0	1245.6	1397.9	2795.8	798.8	1597.6
KM 55 20	858.4	4617.2	-	-	858.4	4617.2	-	-	2347.2	4694.4	-	-
KM 65 25	1299.6	7001.3	-	-	1299.6	7001.3	-	-	3917.9	7835.8	-	-

Note*: The static permissible moments of B and D type are base on two carnaige nuts used in closed contact with each other.