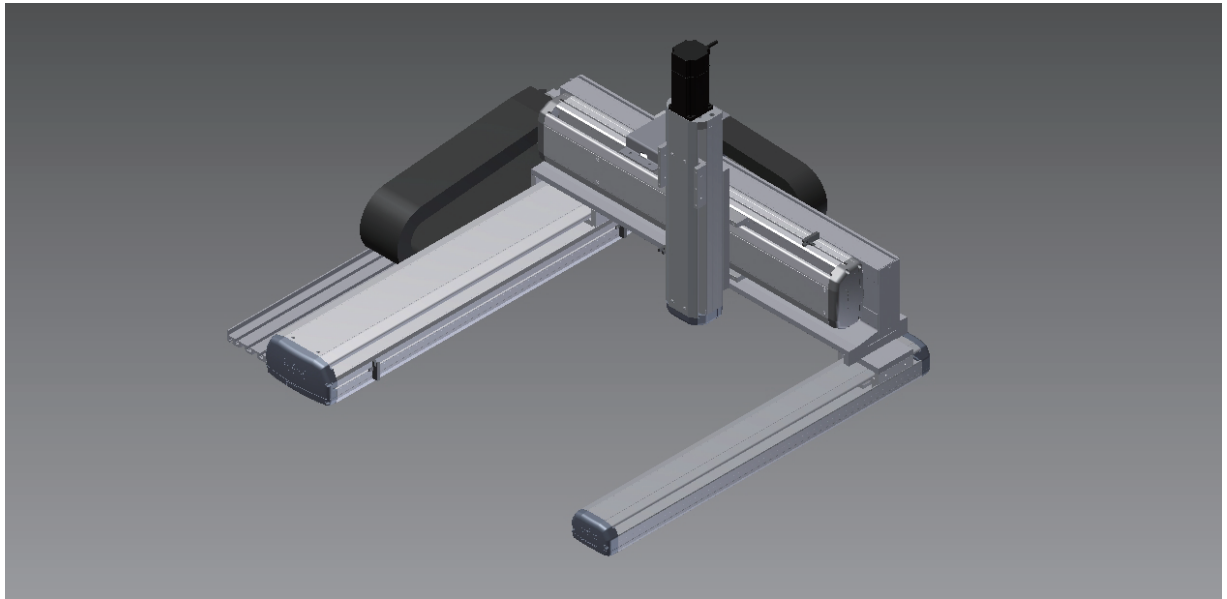


XYTH764-G

3-axis

Ball Screw Drive



Maximum Stroke

X axis 1250mm Y axis 850mm Z axis 350mm

Maximum Speed

X axis 1000mm/s Y axis 1000mm/s Z axis 500mm/s

AC Servo Motor Output

X axis 400W Y axis 200W Z axis 200W+Brake

Specification

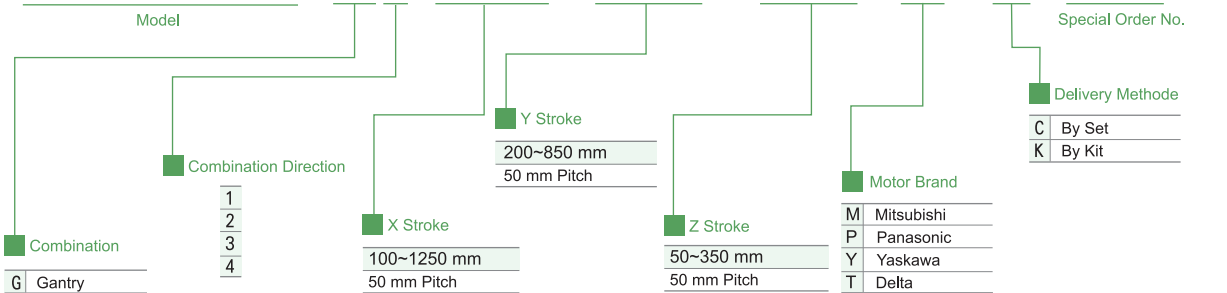
Item	X axis	Y axis	Z axis
Axis Construction	ETH17	ETH14	ETH12
Repeatability (mm)	±0.01	±0.01	±0.01
Ball Screw Lead (mm)	20	20	10
Maximum Speed (mm/s) ※3	1000	1000	500
Stroke 50 mm Pitch (mm)	100-1250	200-850	50-350
AC Servo Motor Output (w)	400	200	200+Brake
Environment	0-40°C , 85%RH Below		

Maximum Payload

Z Stroke Payload (kg)	Y Stroke (mm)							
	150	250	350	450	550	650	750	850
150	13	13	13	13	13	13	13	13
250	13	13	13	13	13	13	13	12
350	13	13	13	13	13	13	13	11

Ordering Method

XYTH764-G1-650-400-200-M-C-001

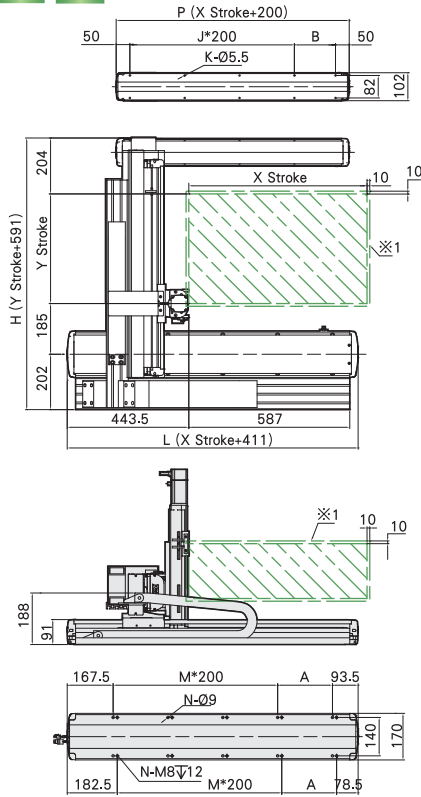


XYTH764-G1 Size

G1

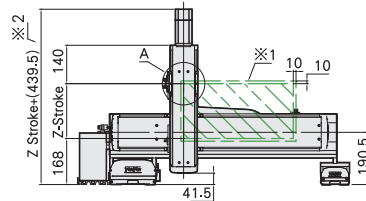
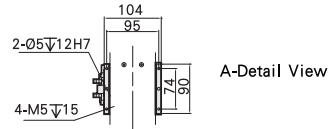
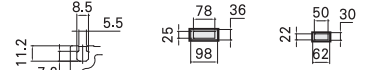


Welcome to download 2D/3D CAD and spec PDF



- ※1 : (When the moving range return to origin,the stop position of table's movement range and mechanical limit.)
- ※2 : (The total height of Z-axis will be different from motor's brands.)
- ※3 : (Maximum speed is based on the AC servo motor's 3000 RPM)
- ※4 : (Maximum speed is refers to the highest safe speed that can be used in stroke,if more than the standard speed, table may produce serious resonance.)

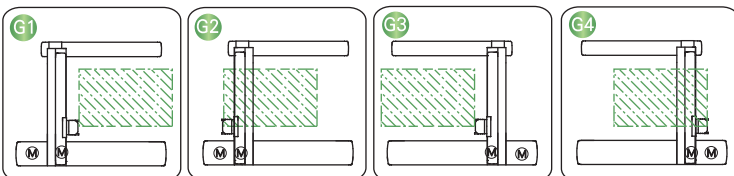
B-Cutaway View X-Cable Chain Y-Cable Chain



Y Stroke (mm)	200	250	300	350	400	450	500	550	600	650	700	750	800	850
H	791	841	891	941	991	1041	1091	1141	1191	1241	1291	1341	1391	1441
Maximum Speed (mm/s)※4	1000													

X Stroke (mm)	100	150	200	250	300	350	400	450	500	550	600	650	700	750	800	850	900	950	1000	1050	1100	1150	1200	1250	
L	511	561	611	661	711	761	811	861	911	961	1011	1061	1111	1161	1211	1261	1311	1361	1411	1461	1511	1561	1611	1661	
A	50	100	150	200	50	100	150	200	50	100	150	200	50	100	150	200	50	100	150	200	50	100	150	200	
M	1	1	1	1	2	2	2	2	3	3	3	3	4	4	4	4	5	5	5	5	6	6	6	6	
N	6	6	6	6	8	8	8	8	10	10	10	10	12	12	12	12	14	14	14	14	16	16	16	16	
Maximum Speed (mm/s)※4	1000													900			800			700			600		
X Auxiliary Stroke (mm)	100	150	200	250	300	350	400	450	500	550	600	650	700	750	800	850	900	950	1000	1050	1100	1150	1200	1250	
P	300	350	400	450	500	550	600	650	700	750	800	850	900	950	1000	1050	1100	1150	1200	1250	1300	1350	1400	1450	
B	200	50	100	150	200	50	100	150	200	50	100	150	200	50	100	150	200	50	100	150	200	50	100	150	
J	0	1	1	1	1	2	2	2	2	3	3	3	3	4	4	4	4	5	5	5	5	6	6	6	
K	4	6	6	6	6	8	8	8	8	10	10	10	10	12	12	12	12	14	14	14	14	16	16	16	

Combination Direction



Accessories

- X-axis Detail Spec. →P110
- Y-axis Detail Spec. →P98
- Z-axis Detail Spec. ※5 →P86
- Motor Brand Options →P430

※5 Z軸為特注200W規格

Application
Standard/Ball Screw
Rod Type Actuator
Standard/Ball Type
Clean Room/Ball Screw
Clean Room/Ball Type
Linear Motor
Multi Axis
Alignment Stage
Reference

XYTH
XYTH-A
XYTH-G
XYTH-P
XYTH-F